

CNC machine

with step motor drive

ICP 4030



ICP 4030 with hood open

Features

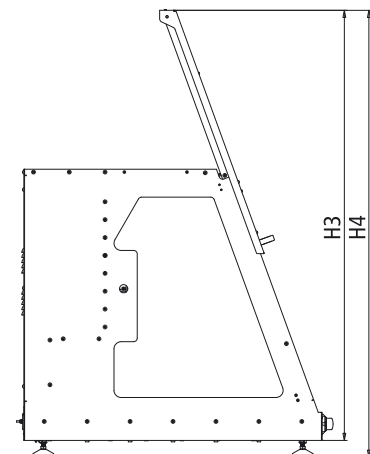
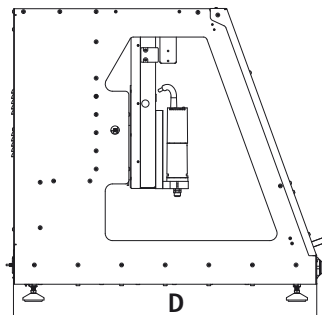
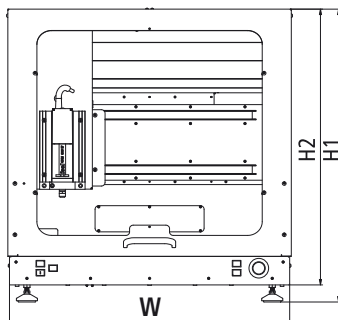
- tried-and-tested technology
- for over 20 years
- over 2,000 systems sold
- Operation possible without a connection to a PC
- suitable for school and training



ICP 4030 with hood closed

Dimensioned drawings

	ICP 4030
Width W [mm]	780
Depth D [mm]	850
Height H1 [mm]	810
Height H2 [mm]	770
Height H3 [mm]	1,203
Height H4 [mm]	1,250



CNC machine

with step motor drive

ICP 4030

General

CNC machines in the ICP series have been developed from the proven CPM series. By introducing a sliding door, the machines can now be operated in a sitting position which, inter alia, leads to shorter cycle times when opening the hood. The chassis is completely bolted instead of being welded like its predecessors. This produces higher precision when building the machine and makes servicing easier. In addition, it was possible to optimise the resonance and vibration behaviour and therefore lower noise build-up has been achieved.

Technical specification

	ICP 4030
Traverse path X/Y/Z [mm]	400 x 300 x 140
Clamping table surface W × D [mm]	700 x 375
Throughput [mm]	170
Dimensions W × D × H [mm]	780 x 850 x 810
Guides	Linear units with precision steel shafts and recirculating ball slots, clearance free adjustable
Process speed X/Y/Z [mm/s]	100 (for Ball screw drives 16x10) 60 (for Ball screw drives 16x4)
Repeatability [mm/s]	± 0.02
Drive motors	Stepper motors
Drive elements X/Y/Z	Ball screw drives 16 x 10 / 16 x 10 / 16 x 4 mm Clearance free adjustable (optional: 16 x 4 mm in X/Y/Z)
Controller	iMC-P step controller with 4 final stages 48V/4.2A and 500W power supply unit with processor board
Operation	Function keys and emergency shutdown
Software	WinRemote (optional: ProNC, isy CAM 2.8)
Weight [kg]	appr. 120
Part-no.:	280220 7405 *

* The deliverables include an accompanying pack with mechanical accessories (inter alia Hand lever clamping device, stop rails Triangle wrench, open jaw wrench, hook wrench, Allen key, one 6-socket bench extension, connection lead, power lead)

Accessories

280220 9012	Cooling/spray device for ICP 3020/4030
280120 9010	Length measuring button for ICP 3020/4030
280120 9004	Workspace lighting for ICP 3020/4030
420003 0500	Milling motor UFM 500, 500 W, 11,000...25,000 r.p.m.
280110 9001	Suction device for UFM 500
Z13-337070	isy-CAM 2.8
Z11-333500	ProNC software
310704 1631	iSA 500 spindle motor up to 30,000 rpm, 500 W, with frequency converter, CoolMin tool cooling system, ER 11 clamping ring and motor lead
310707 1631	iSA 750 spindle motor up to 24,000 rpm, 750 W, with frequency converter, CoolMin tool cooling system, ER 16 clamping ring and motor lead
280210 9001	Suction device for iSA 500 / 750
280000 0046	Fixing plate for main spindle drive iSA 500 / 750
290055	Vice 1 (W 130 x H 45 x L 152 mm)
290056	Vice 2 (W 180 x H 75 x L 215 mm)

